



The basic **MG-145** is a flat-bed mount providing pitch and azimuth adjustment. It was designed for the precise alignment of Pockels cells having a flat mounting area and where substantial weight and the tension of heavy electrical cables makes other gimbals unacceptable. Two axis angular adjustment is made by precision micrometers. The device is free from cross coupling. Both axes can be independently locked in position. Resolution is 3 arcseconds with an angular range of  $\pm 5^\circ$ .

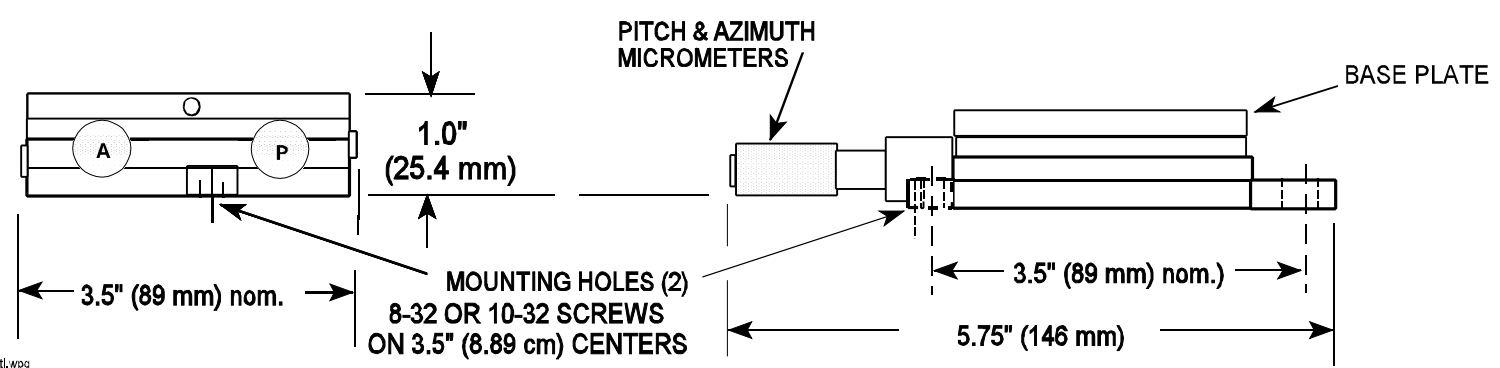
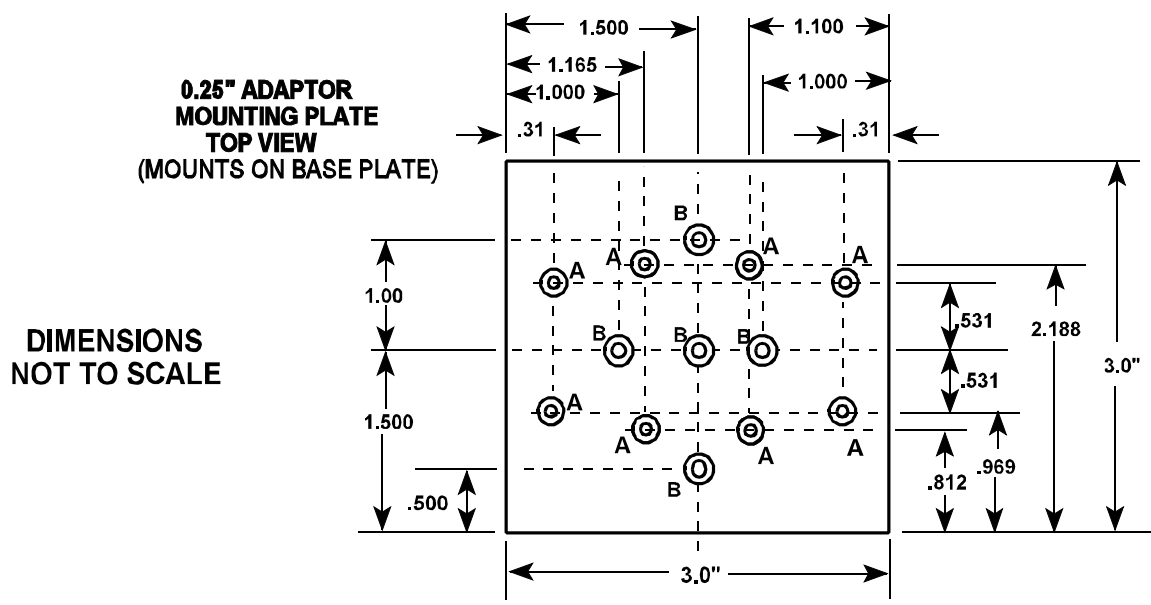


The **MGC-145** employs a C shaped mounting clamp fastened to the basic **MG-145**. The clamp is designed for Pockels cell with an industry standard outer diameter of 1.375" (35 mm) such as Lasermetrics 1059 Series Pockels cell Q-switches.

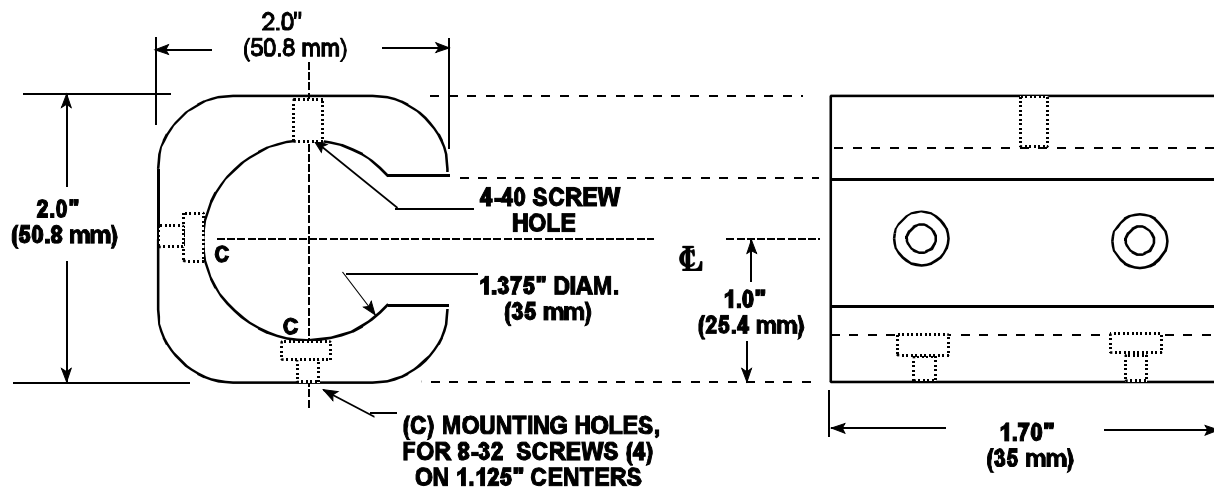
The **MGV-145** model provides "V" block mounting for cylindrical elements such as Lasermetrics' Q-switches and low voltage modulators. This unit will accept diameters up to 3.0" (75 mm). A plastic strap or optional aluminum clamp is provided for locking the element into the "V" block.

**NOMINAL SPECIFICATIONS:**

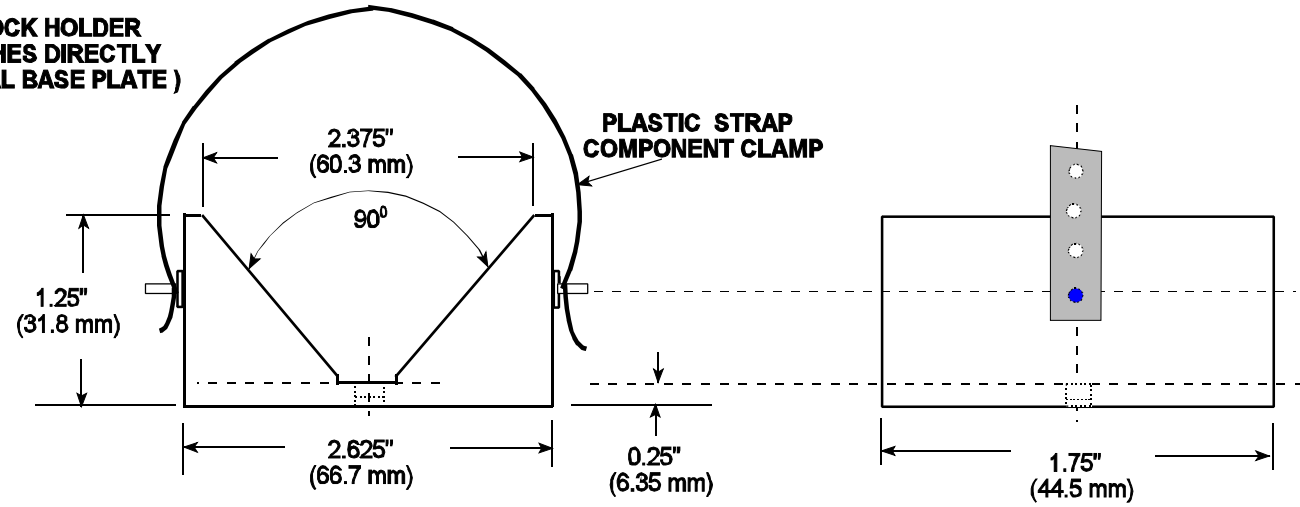
Angular Range	$\pm 5^\circ$
Resolution	$\pm 3$ arcseconds
Height of mounting surface - MG-145:	1.0" (25.4 mm) Flat Mount, no adapter plate
Adaptor Plate (Optional)	3.0" X 3.0" X 0.25" thick
Optical Center Height - MGV-145:	"V" Block, $\varnothing$ Height Depends on element diameter
- MGC-145:	"C" Clamp, $\varnothing$ Height of fixture is 1.0" above its base. Optical center line is 2.0" if "C" Clamp is mounted on the MG-145 Gimbal. Optional spacers are available.



I:\GRAPHICS\Gimbal\Outl.wpg  
4 May 2000 - RLG



**"V" BLOCK HOLDER  
(ATTACHES DIRECTLY  
TO GIMBAL BASE PLATE)**



**NOT TO SCALE**

**"C" and "V" Mounts for the MG-145 GIMBAL**